





# ACQUA

## TECHNICAL SPECIFICATIONS

Bike washing column equipped with support arm, kit of brushes for cleaning the bike **with provision for water connection.**

### MATERIALS USED

6060 extruded aluminium structure

### STANDARD (MATTE) COLOURS

Ral 5024 (Air force blue)  Ral 7030 (Urban)  Ral 6021 (Olive)  Ral 6018 (Green) 

### HOW TO INSTALL IT

The base of the station has 4 holes  $\varnothing 11$  that allow it to be fixed to the ground, using the fixing caps that have been provided. Anti-theft caps are available on request. For safety reasons, we recommend that the station be secured before use.

### MAINTENANCE

Despite its exposure to atmospheric conditions, the washing station does not require any extraordinary maintenance work, due to the fact that it is made of aluminium and steel components. We recommend covering it in the event that it is not used in winter.

### WARRANTY

There is a 2-year warranty on all of the station's structural parts (including the pump), with the exception of parts prone to wear and tear (i.e. gaskets, rings etc.). Spare parts are available for all station components. Ask for prices and availability. The warranty does not cover any damage caused by individuals or vandalism. **THE WARRANTY IS EX-WORKS GREEN GARAGE BIKE.**

### OVERALL SIZE AND WEIGHT

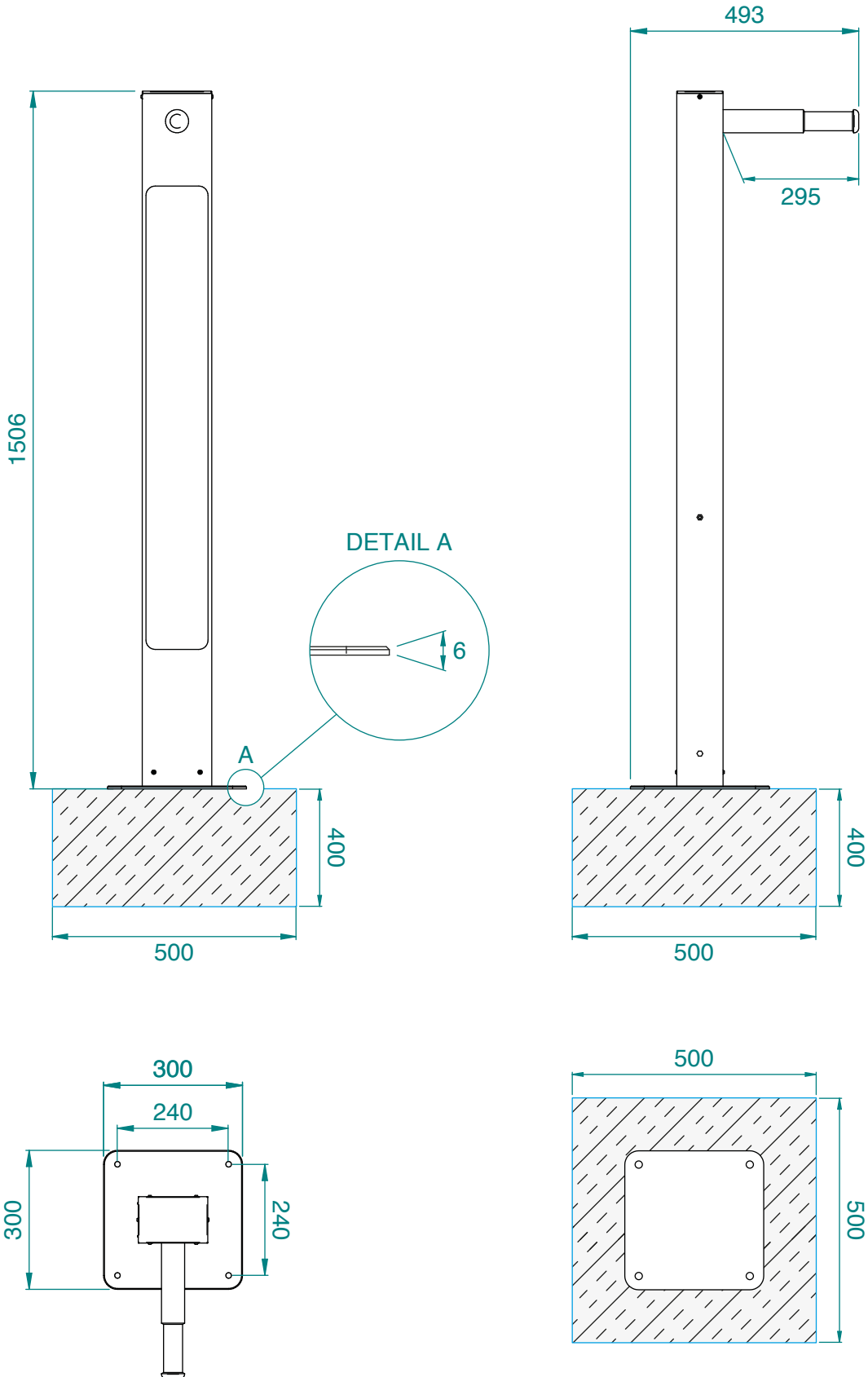
Support arm 29.5 cm - Height 150.6 cm - Width 30 cm - Depth 30 cm - Weight 8 kg

### CUSTOMISED GRAPHICS

GREEN GARAGE BIKE offers the possibility of customising the station with the customer's graphics. Send us a vector file and we will provide you with a quotation for the customisation work.

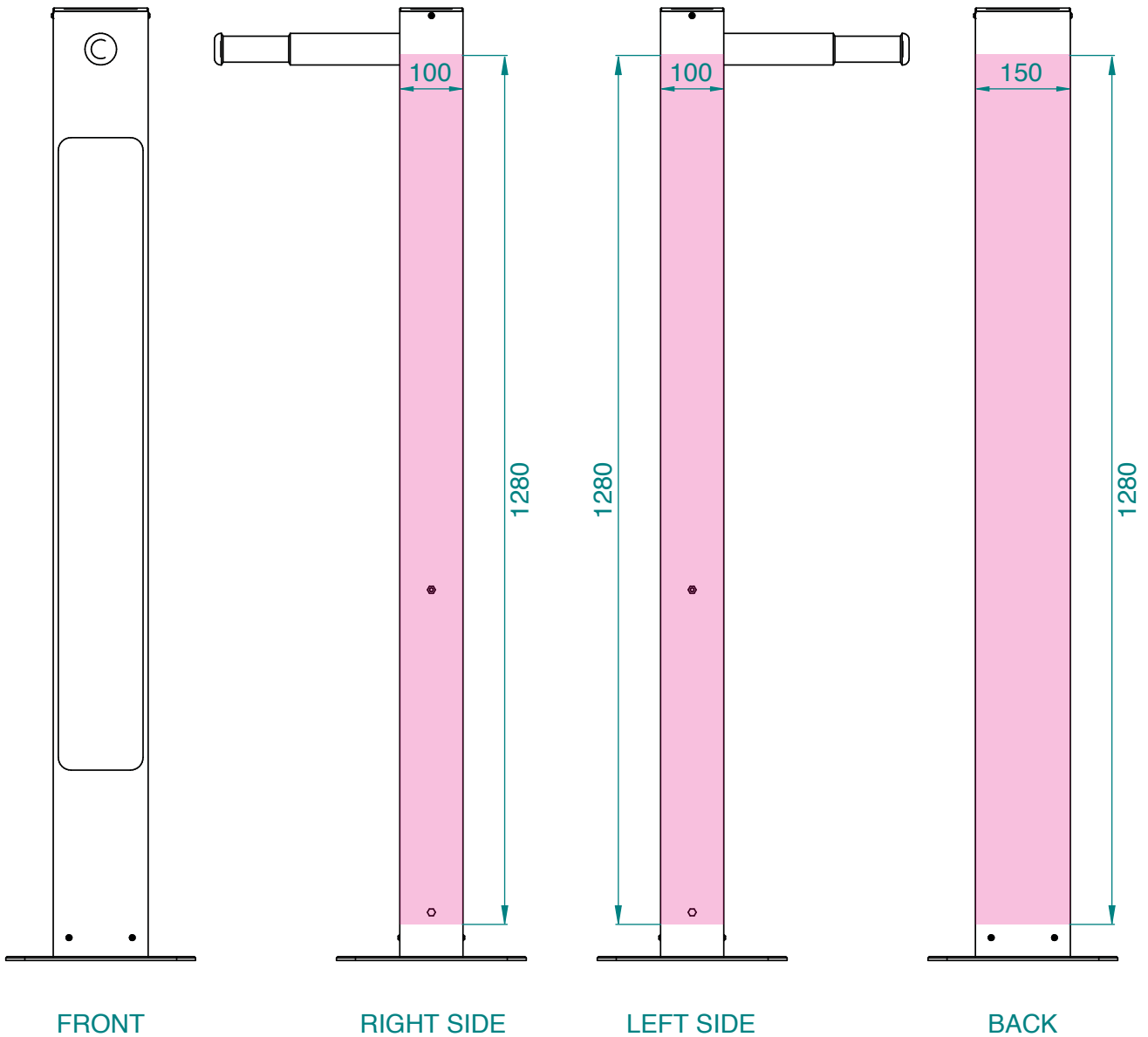
SIZE

# ACQUA



## CUSTOM GRAPHICS SIZE

# ACQUA



 GRAPHICS SIZE

